

SO 65 Specifications

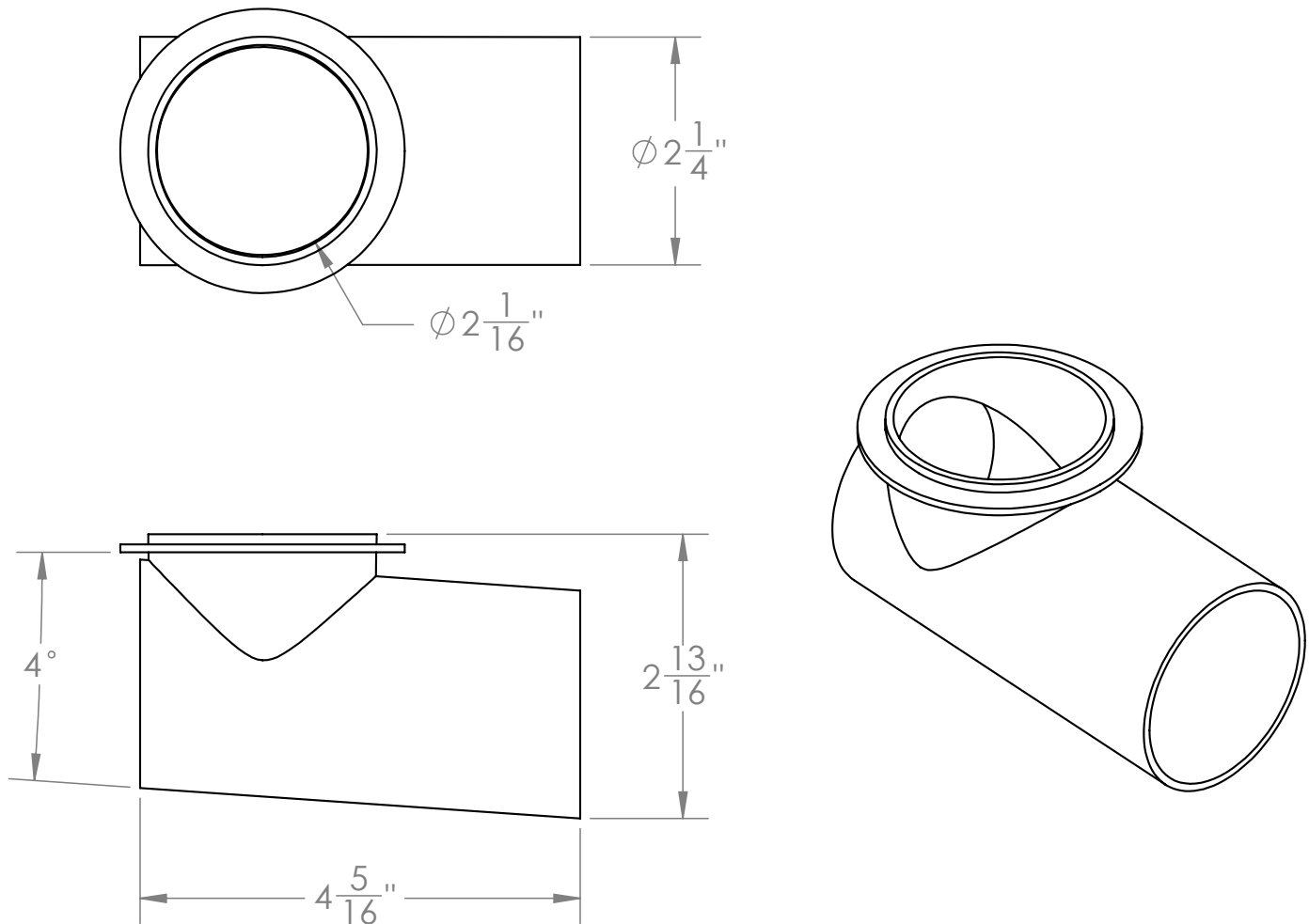
ID Infinity Drain

SO 65: 2" Non-Threaded Side Outlet
Intended for use for exterior applications.

Compatible with the following models:

- S-AG 38 / S-LAG 38
- S-DG 38 / S-DG 65
- S-LT 38 / S-LT 65
- S-AG 65 / S-LAG 65
- S-TIF 65 / S-LTIF 65
- S-LGR 65
- S-AG 100

All PVC Components for Site Sizable Series drains can be bonded using clear PVC Primer and Cement.



Infinity Drain
145 Dixon Avenue
Amityville, NY 11701
Phone: 516.767.6786
Fax: 516.740.3066
www.infinitydrain.com



NOTE: Installer must verify all rough-in dimensions prior to installation and consult local and national codes. Conformity and compliance to local and national codes are the responsibility of the installer.