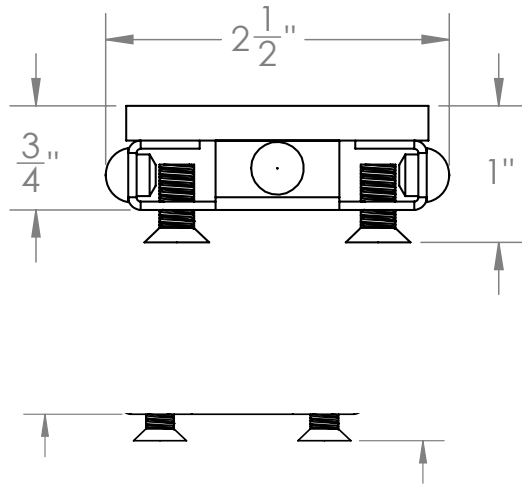


BA 65 Specifications



BA 65:

- Solid grate for FXSG 65, FFSG 65, FCSSG 65, FCBSG 65, FTSG 65
- 7 gauge, 304L stainless steel

Models (Overall dimension):

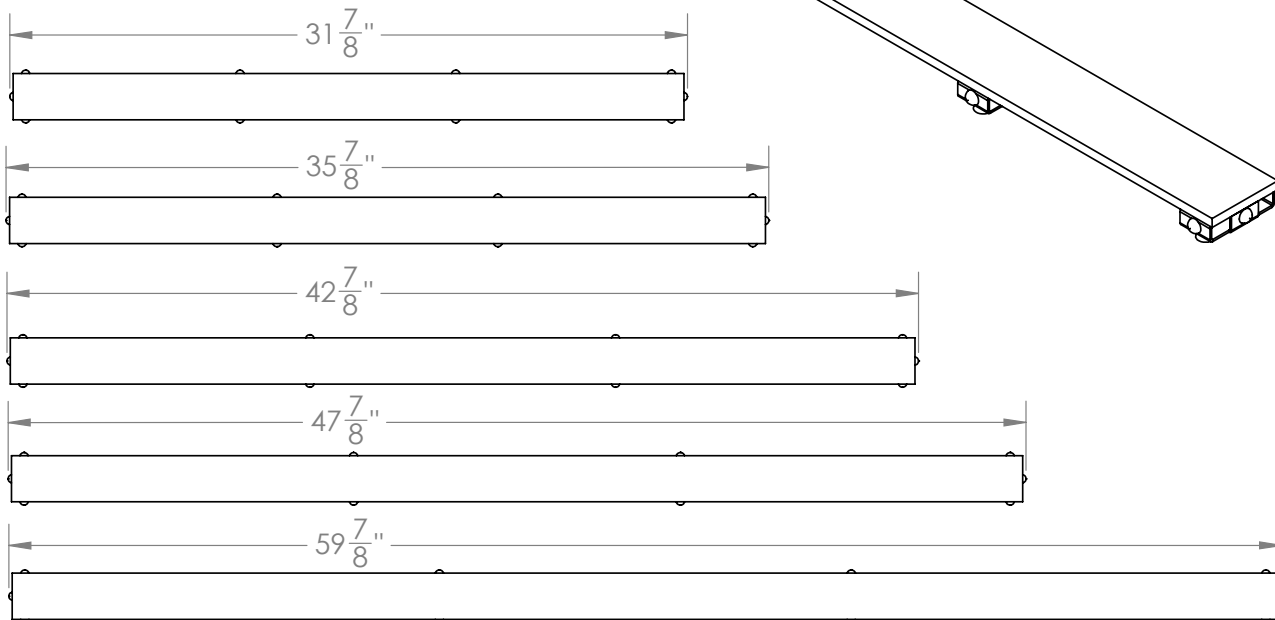
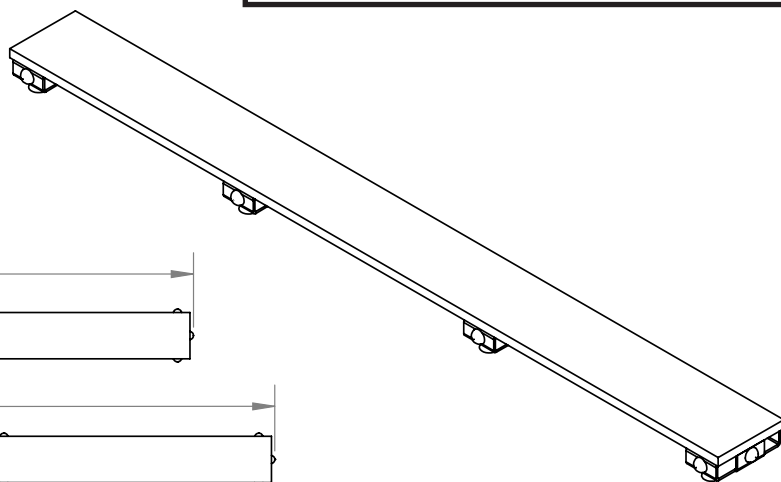
- BA 6524: 23-7/8" L x 2-1/2" W x 3/4" H
- BA 6532: 31-7/8" L x 2-1/2" W x 3/4" H
- BA 6536: 35-7/8" L x 2-1/2" W x 3/4" H
- BA 6542: 41-7/8" L x 2-1/2" W x 3/4" H
- BA 6548: 47-7/8" L x 2-1/2" W x 3/4" H
- BA 6560: 59-7/8" L x 2-1/2" W x 3/4" H

Finishes:

- Satin Stainless - SS
- Polished Stainless - PS
- Satin Bronze - SB
- Oil Rubbed Bronze - ORB
- Matte Black - BK

Specialty Finishes:

- Gunmetal
- Matte White
- Satin Champagne
- Polished Brass
- Polished Gold



Infinity Drain
 145 Dixon Avenue
 Amityville, NY 11701
 Phone: 516.767.6786
 Fax: 516.740.3066
 www.infinitydrain.com



NOTE: Installer must verify all rough-in dimensions prior to installation and consult local and national codes. Conformity and compliance to local and national codes are the responsibility of the installer.