

ID Infinity Drain



Product Design
Consultant
Gensler

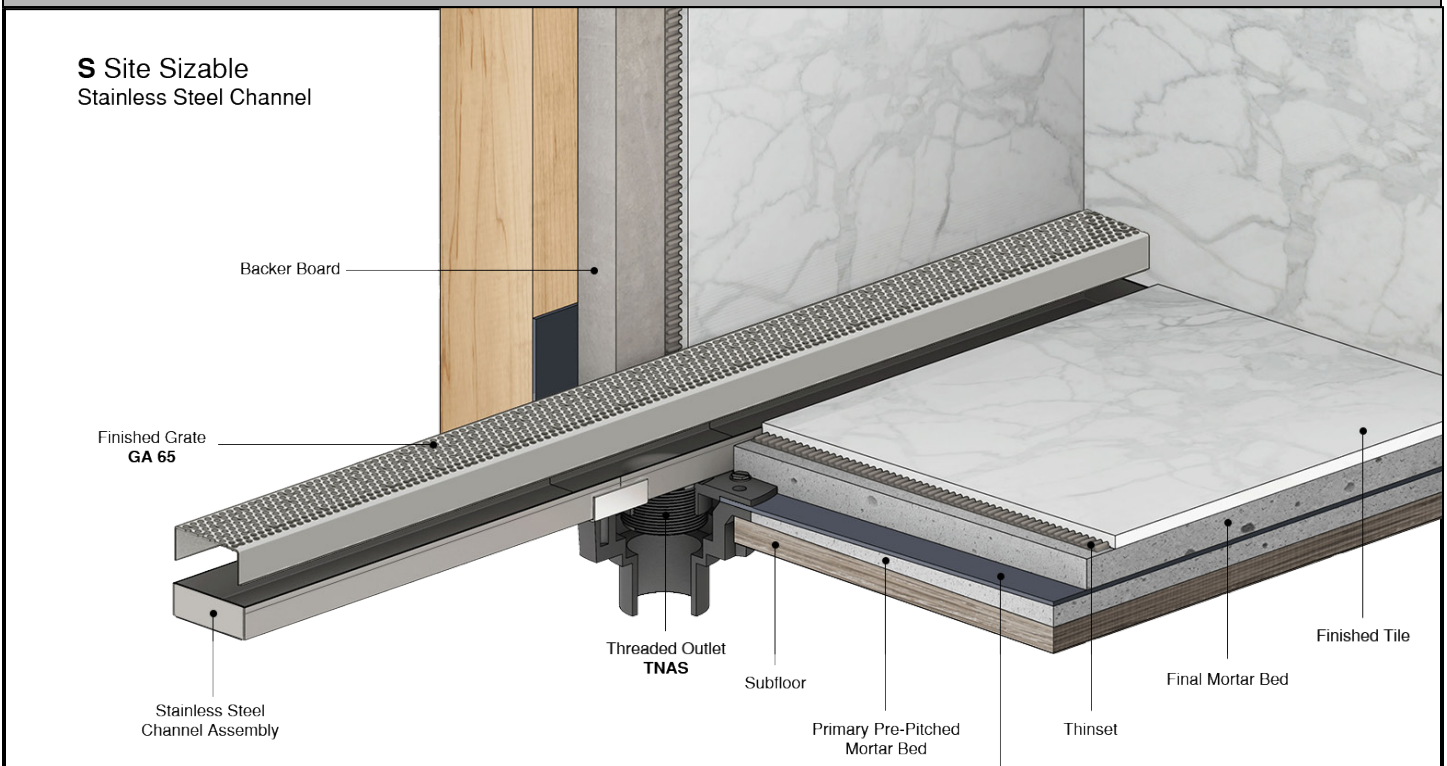
S-GRAS 65 Stainless Steel Site Sizable Series

- **S-GRAS 6536 - 36" Complete Kit**
- **S-GRAS 6548 - 48" Complete Kit**
- **S-GRAS 6560 - 60" Complete Kit**
- **S-GRAS 6572 - 72" Complete Kit**
- **S-GRAS 6596 - 96" Complete Kit**

Features

- Modify length and outlet location on site
- Indoor or outdoor use
- Stainless Steel Channel
- 16 gauge, 304L stainless steel grate
- Works with 2" clamp down floor with 2" throat/strainer size (*not included*)
- Compatible with: PVC Liner, Rubber Liner (Chloraloy®), Hot Mop, Lead Pan, Copper Pan, or Fiberglass
- Flow rate - 9 gpm per outlet
 - Flow rate measured at outlet only. Measurement does not account for water in channel or sheeting on shower floor.
 - Additional outlets can be added and combined into a larger waste line to increase flow rates

Installation



Care & Maintenance

S-GRAS 65 stainless steel linear drain top grates are made of 304L stainless steel. This material is non-porous, hygienic, rust-free and extremely durable. Bar Keepers Friend® and Soft Scrub® are commonly available products that can be used to protect and clean your Satin Stainless drain cover. For stains that have been left for an excessive amount of time, stronger cleaning agents such as Steel Brite Cleaner may be needed. For all finishes we recommend using mild soap and a soft cloth for cleaning. DO NOT use any abrasive cleaners, scrub pads or allow household cleaning agents, such as bleach, to sit on the drain cover for a long period of time. Stainless steel does not rust. External factors, such as contamination from other highly ferrous metals, built up road salt, sea salt, or chlorine may have caused "surface" rust which can be removed using Barkeepers Friend®, Soft Scrub®, or Steel Brite Cleaner. Always follow the directions on the bottle. Follow proper maintenance procedures to prevent excessive surface rust. In areas of frequent exposure to salt, chlorine, and other chemical compounds, maintenance of the stainless grates should be performed at least 2-3 times per year.

Infinity Drain
145 Dixon Avenue
Amityville, NY 11701
Phone: 516.767.6786
Fax: 516.740.3066
www.Infinitydrain.com



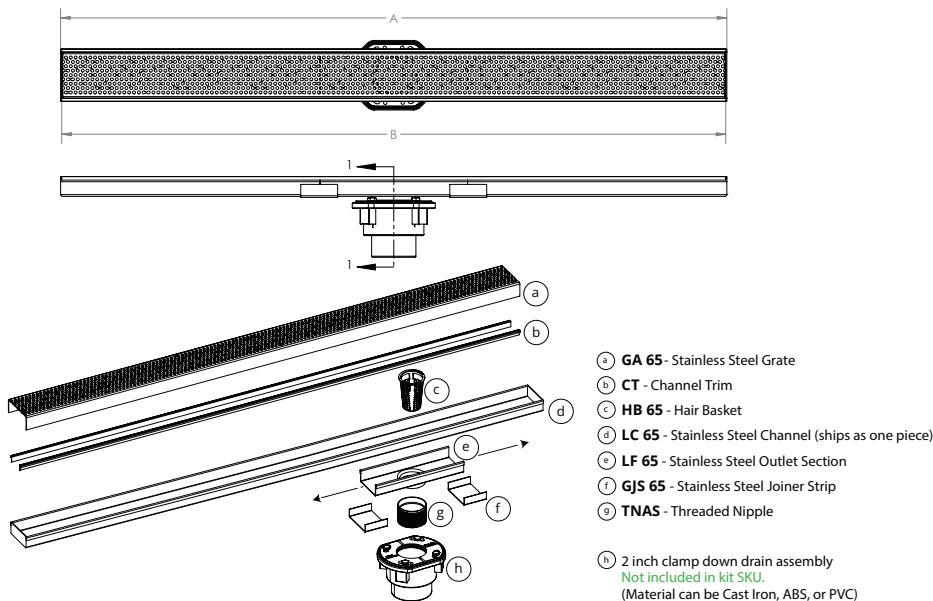
NOTE: Installer must verify all rough-in dimensions prior to installation and consult local and national codes. Conformity and compliance to local and national codes are the responsibility of the installer.

ID Infinity Drain

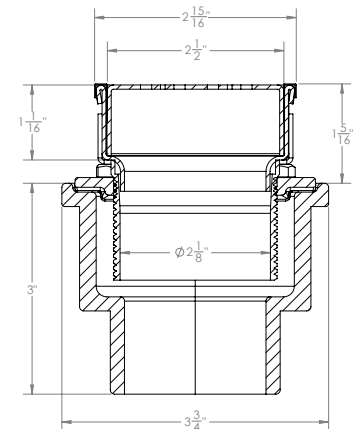
S-GRAS 6536

S-GRAS 6548

S-GRAS 6560



- Ⓐ GA 65 - Stainless Steel Grate
- Ⓑ CT - Channel Trim
- Ⓒ HB 65 - Hair Basket
- Ⓓ LC 65 - Stainless Steel Channel (ships as one piece)
- Ⓔ LF 65 - Stainless Steel Outlet Section
- Ⓕ GJS 65 - Stainless Steel Joiner Strip
- Ⓖ TNAS - Threaded Nipple
- Ⓗ 2 inch clamp down drain assembly
Not included in kit SKU.
(Material can be Cast Iron, ABS, or PVC)



SECTION 1-1

Model Number	Complete Kit Contents		A Maximum Overall Length	B Maximum Grate Length
S-GRAS 6536	1 - GA 6536 Stainless Steel Grate 1 - LC 6528 Stainless Steel Channel 1 - LF 65 8" Stainless Steel Outlet Section 2 - GJS 65 Stainless Steel Joiner Strip 1 - TNAS Threaded Nipple	1 - ZSIKA - M1 Sealant 1 - HMK-65-D: 1 - HB 65 Hair Basket 1 - DKEY Lift Out Key 2 - CT 36 Channel Trims	36"	35 7/8"
S-GRAS 6548	1 - GA 6548 Stainless Steel Grate 1 - LC 6540 Stainless Steel Channel 1 - LF 65 8" Stainless Steel Outlet Section 2 - GJS 65 Stainless Steel Joiner Strip 1 - TNAS Threaded Nipple	1 - ZSIKA - M1 Sealant 1 - HMK-65-D: 1 - HB 65 Hair Basket 1 - DKEY Lift Out Key 2 - CT 48 Channel Trims	48"	47 7/8"
S-GRAS 6560	1 - GA 6560 Stainless Steel Grate 1 - LC 6552 Stainless Steel Channel 1 - LF 65 8" Stainless Steel Outlet Section 2 - GJS 65 Stainless Steel Joiner Strip 1 - TNAS Threaded Nipple	1 - ZSIKA - M1 Sealant 1 - HMK-65-D: 1 - HB 65 Hair Basket 1 - DKEY Lift Out Key 2 - CT 60 Channel Trims	60"	59 7/8"

Finishes

- ☐ Satin Stainless (SS)
- ☐ Polished Stainless (PS)
- ☐ Oil Rubbed Bronze (ORB)
- ☐ Satin Bronze (SB)
- ☐ Matte Black (BK)
- ☐ Satin Champagne (SC)
- ☐ Polished Gold (PG)
- ☐ Polished Brass (PB)
- ☐ Gunmetal (GM)
- ☐ Matte White (MW)

Infinity Drain
 145 Dixon Avenue
 Amityville, NY 11701
 Phone: 516.767.6786
 Fax: 516.740.3066
 www.Infinitydrain.com

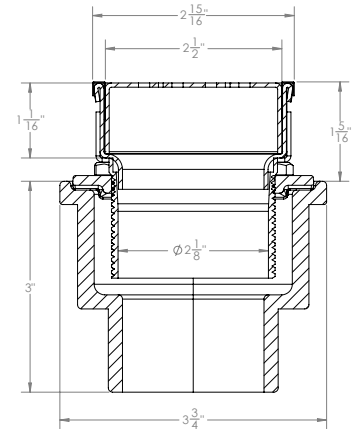
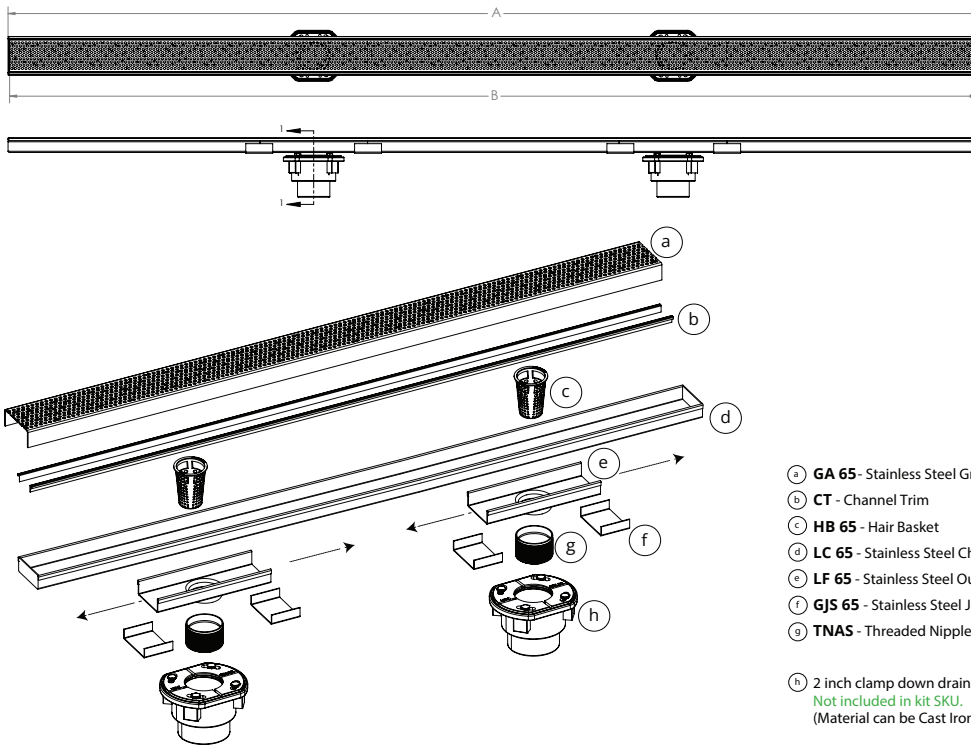


NOTE: Installer must verify all rough-in dimensions prior to installation and consult local and national codes. Conformity and compliance to local and national codes are the responsibility of the installer.

ID Infinity Drain

S-GRAS 6572

S-GRAS 6596



SECTION 1-1

- (a) GA 65 - Stainless Steel Grate
- (b) CT - Channel Trim
- (c) HB 65 - Hair Basket
- (d) LC 65 - Stainless Steel Channel (ships as one piece)
- (e) LF 65 - Stainless Steel Outlet Section
- (f) GJS 65 - Stainless Steel Joiner Strip
- (g) TNAS - Threaded Nipple

(h) 2 inch clamp down drain assembly
 Not included in kit SKU.
 (Material can be Cast Iron, ABS, or PVC)

Model Number	Complete Kit Contents	A Maximum Overall Length	B Maximum Grate Length
S-GRAS 6572	1 - GA 6572 Stainless Steel Grate 1 - LC 6564 Stainless Steel Channel 2 - LF 65 8" Stainless Steel Outlet Section 4 - GJS 65 Stainless Steel Joiner Strip 2 - TNAS Threaded Nipple	72"	71 7/8"
S-GRAS 6596	1 - GA 6596 Stainless Steel Grate 1 - LC 6588 Stainless Steel Channel 2 - LF 65 8" Stainless Steel Outlet Section 4 - GJS 65 Stainless Steel Joiner Strip 2 - TNAS Threaded Nipple	96"	95 7/8"

Finishes

- Satin Stainless (SS)
- Polished Stainless (PS)
- Oil Rubbed Bronze (ORB)
- Satin Bronze (SB)
- Matte Black (BK)
- Satin Champagne (SC)
- Polished Gold (PG)
- Polished Brass (PB)
- Gunmetal (GM)
- Matte White (MW)

Infinity Drain
 145 Dixon Avenue
 Amityville, NY 11701
 Phone: 516.767.6786
 Fax: 516.740.3066
 www.Infinitydrain.com



NOTE: Installer must verify all rough-in dimensions prior to installation and consult local and national codes. Conformity and compliance to local and national codes are the responsibility of the installer.