

ID Infinity Drain



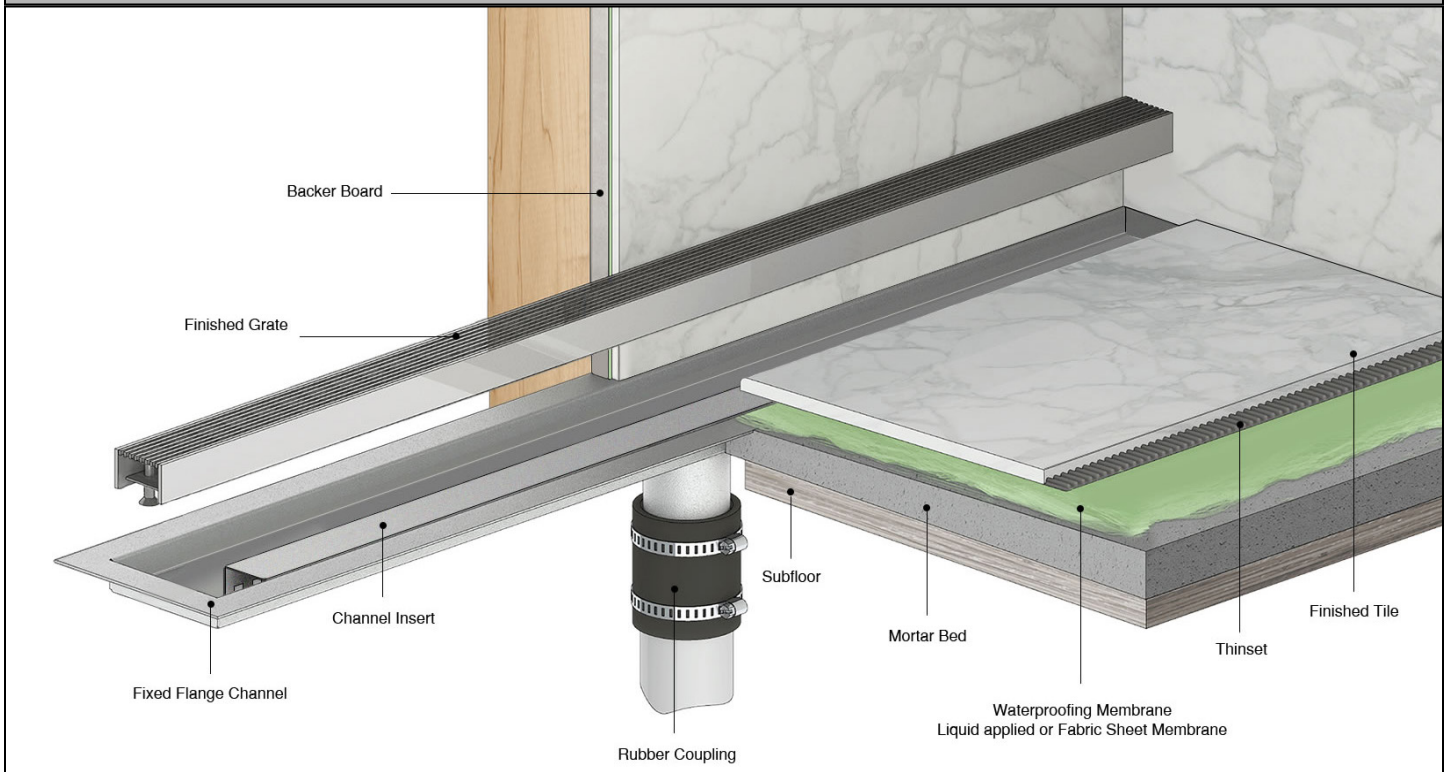
FFAS 38 Fixed Flange Series

- FFAS 3832 - 32" Complete Kit
- FFAS 3836 - 36" Complete Kit
- FFAS 3842 - 42" Complete Kit
- FFAS 3848 - 48" Complete Kit
- FFAS 3860 - 60" Complete Kit

Features

- Fixed flange with centered outlet location
- Indoor or outdoor use
- 12 gauge, 316L stainless steel grate
- 16 gauge, 304L stainless steel channel
- Pre - pitched channel
- Grate can be removed for cleaning
- NOT Site Sizable™
- Compatible with: liquid applied or fabric sheet membranes
- Flow rate - 9 gpm per outlet
 - Flow rate measured at outlet only. Measurement does not account for water in channel or sheeting on shower floor.
 - Additional outlets can be added and combined into a larger waste line to increase flow rates

Installation



Care & Maintenance

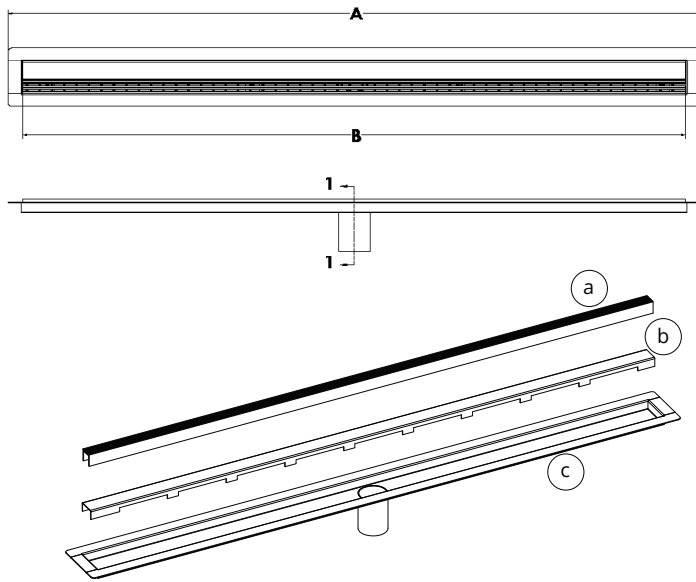
FFAS 38 stainless steel linear drain top grates are made of 316L stainless steel. This material is non-porous, hygienic, rust-free and extremely durable. Bar Keepers Friend® and Soft Scrub® are commonly available products that can be used to protect and clean your Satin Stainless drain cover. For stains that have been left for an excessive amount of time, stronger cleaning agents such as Steel Brite® may be needed. For all finishes we recommend using mild soap and a soft cloth for cleaning. DO NOT use any abrasive cleaners, scrub pads or allow household cleaning agents, such as bleach, to sit on the drain cover for a long period of time. Stainless steel does not rust. External factors, such as contamination from other highly ferrous metals, built up road salt, sea salt, or chlorine may have caused "surface" rust which can be removed using Barkeepers Friend®, Soft Scrub®, or Steel Brite Cleaner. Always follow the directions on the bottle. Follow proper maintenance procedures to prevent excessive surface rust. In areas of frequent exposure to salt, chlorine, and other chemical compounds, maintenance of the stainless grates should be performed at least 2-3 times per year.

Infinity Drain
145 Dixon Avenue
Amityville, NY 11701
Phone: 516.767.6786
Fax: 516.740.3066

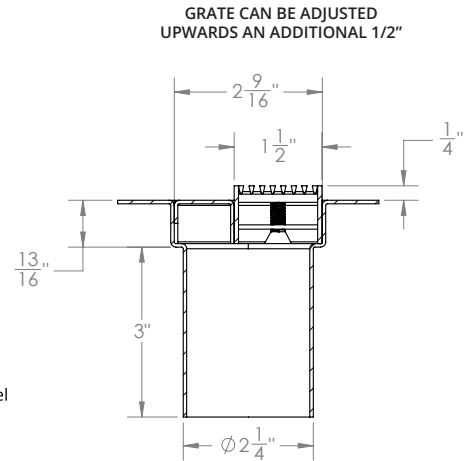


NOTE: Installer must verify all rough-in dimensions prior to installation and consult local and national codes. Conformity and compliance to local and national codes are the responsibility of the installer.

ID Infinity Drain



- Ⓐ SA 38 - Stainless Steel Grate
- Ⓑ CI 38 - Channel Insert
- Ⓒ FC 25 - Stainless Steel Channel



SECTION 1-1

Model Number	Complete Kit Contents	A (Maximum Overall Length)	B (Maximum Grate Length)
<input type="checkbox"/> FFAS 3832	1 - SA 3832 Grate 1 - FC 3832 Fixed Flange Channel 1 - CI 3832 Channel Insert	34 1/8"	31 7/8"
<input type="checkbox"/> FFAS 3836	1 - SA 3836 Grate 1 - FC 3836 Fixed Flange Channel 1 - CI 3836 Channel Insert	38 1/8"	35 7/8"
<input type="checkbox"/> FFAS 3842	1 - SA 3842 Grate 1 - FC 3842 Fixed Flange Channel 1 - CI 3842 Channel Insert	44 1/8"	41 7/8"
<input type="checkbox"/> FFAS 3848	1 - SA 3848 Grate 1 - FC 3848 Fixed Flange Channel 1 - CI 3848 Channel Insert	50 1/8"	47 7/8"
<input type="checkbox"/> FFAS 3860	1 - SA 3860 Grate 1 - FC 3860 Fixed Flange Channel 1 - CI 3860 Channel Insert	62 1/8"	59 7/8"

Finishes

- | | | | | |
|---|--|--|--|---|
| <input type="checkbox"/> Satin Stainless (SS) | <input type="checkbox"/> Polished Stainless (PS) | <input type="checkbox"/> Oil Rubbed Bronze (ORB) | <input type="checkbox"/> Satin Bronze (SB) | <input type="checkbox"/> Matte Black (BK) |
| <input type="checkbox"/> Satin Champagne (SC) | <input type="checkbox"/> Polished Gold (PG) | <input type="checkbox"/> Polished Brass (PB) | <input type="checkbox"/> Gunmetal (GM) | <input type="checkbox"/> Matte White (MW) |

Infinity Drain
145 Dixon Avenue
Amityville, NY 11701
Phone: 516.767.6786
Fax: 516.740.3066



NOTE: Installer must verify all rough-in dimensions prior to installation and consult local and national codes. Conformity and compliance to local and national codes are the responsibility of the installer.

ID Infinity Drain

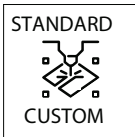
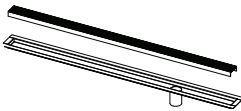
CUSTOM FIXED FLANGE SERIES DRAINS

If you can imagine it, we can manufacture it. Infinity Drain® offers a variety of customized drainage solutions to your exact specification. Customize length, outlets, configuration, styles, and finishes.



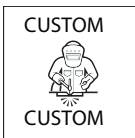
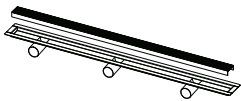
NEW Next Day Custom

- Purchase orders and sign offs received by 10am ET will ship the following day
- Completed custom form must accompany purchase order
- Straight configuration and custom lengths up to 96"
- Grate Styles: Wedge Wire, Offset Slotted, Tile Insert Frame
- Installation types: Fixed Flange (FF), Flanged with Schluter® - Kerdi (FCS), and Double Waterproofing (FCB)
- Custom outlet placement for multiple outlets
- Finishes: Satin Stainless, Polished Stainless, Oil Rubbed Bronze, Satin Bronze and Matte Black



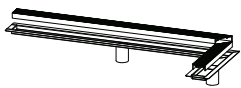
Standard Custom

- Purchase orders and sign offs received by 10am ET will ship within 15 business days
- Completed custom form must accompany purchase order
- Straight configuration and custom lengths up to 96"
- Any standard grate style options
- Installation types: Fixed Flange (FF), Flanged with Schluter® - Kerdi (FCS), and Double Waterproofing (FCB)
- Custom outlet placement for multiple outlets
- Finishes: Satin Stainless, Polished Stainless, Oil Rubbed Bronze, Satin Bronze and Matte Black



Custom-Custom

- Specialty installation options (Sink drain, Elevator drain, Threshold drain, Vinyl Clamp drain, etc.)
- Any shape and configuration
- Any installation type
- Any outlet type
- Any finish. Standard finishes and color match finish options available.



[CLICK HERE - TO LEARN MORE ABOUT CUSTOM FABRICATION](#)

For additional information regarding Custom Fabrication, Please contact Technical Support at info@infinitydrain.com

Infinity Drain
145 Dixon Avenue
Amityville, NY 11701
Phone: 516.767.6786
Fax: 516.740.3066



NOTE: Installer must verify all rough-in dimensions prior to installation and consult local and national codes. Conformity and compliance to local and national codes are the responsibility of the installer.