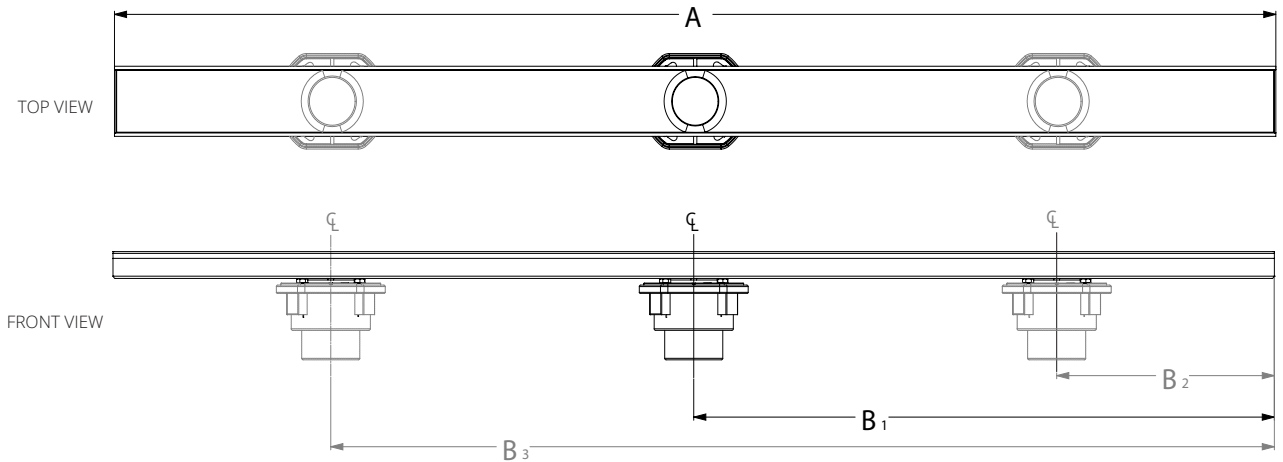




# FXC (Fixed Length) Standard Custom Form

**[FX]** (Fixed Length) linear drains are designed for use with traditional waterproofing methods including PVC Liners, Rubber Liners, Hot Mop, Lead Pan, Copper Pan and Fiberglass. The overall length of the channel (**A**) is the finished length of the drain, which is the outside dimension. All outlet locations (**B**) are measured from the right outside edge. For this installation a mechanically fastening drain body (clamp down drain) must be installed. A mortar bed or equal is spread across the shower area and sloped in all directions towards the clamp down drain body. A waterproofing membrane is installed with the drain body and over the mortar bed. The linear drain is threaded into the drain body and set to the correct height. A final layer of mortar is spread to encase the



<input type="checkbox"/>	<b>A: Overall Length</b>	<input type="checkbox"/>	<b>B1: Outlet Location 1</b>	<input type="checkbox"/>	<b>B2: Outlet Location 2</b>	<input type="checkbox"/>	<b>B3: Outlet Location 3</b>
Requires 2" clamping floor drain with 2" throat (Sold separately)				<i>FOR ADDITIONAL OUTLETS IF NEEDED</i>			

Waterproofing via clamping floor drain:



- CDI 22** - Cast Iron 2" throat, 2" No-hub connect
- CDIH 22** - (For Hot Mop) Cast Iron 2" throat, 2" No-hub connect
- CDA 22** - ABS 2" throat, 2" standard connect
- CDP 22** - PVC 2" throat, 2" standard connect

Grate Styles - Choose (1) Below		OR	Channel Only <input type="checkbox"/>
<input type="checkbox"/> <b>FXAS 65</b> 2 1/2" WIDE WEDGE WIRE Maximum Single Grate Length: 72"		<input type="checkbox"/> <b>FXED 65</b> OFFSET OVAL PATTERN Maximum Single Grate Length: 96"	
<input type="checkbox"/> <b>FXAS 125</b> 5" WIDE WEDGE WIRE 4" THROAT STANDARD Maximum Single Grate Length: 72"		<input type="checkbox"/> <b>FXMN 65</b> MARC NEWSON PATTERN Maximum Single Grate Length: 96"	
<input type="checkbox"/> <b>FXIG 65</b> SLOTTED PATTERN Maximum Single Grate Length: 96"		<input type="checkbox"/> <b>FXSG 65</b> SOLID GRATE Maximum Single Grate Length: 60"	
<input type="checkbox"/> <b>FXTIF 65</b> TILE INSERT For 3/4" Material Maximum Single Grate Length: 60"		<input type="checkbox"/> <b>FXTIF 65</b> TILE INSERT For 3/8" Material Maximum Single Grate Length: 60"	

Note: Lengths exceeding the grate's maximum single length will be split into equal sections.

Grate Finish - Choose (1)	
<input type="checkbox"/> Satin Stainless (SS)	<input type="checkbox"/> Gunmetal
<input type="checkbox"/> Polished Stainless (PS)	<input type="checkbox"/> Matte White
<input type="checkbox"/> Matte Black (BK)	<input type="checkbox"/> Satin Champagne
<input type="checkbox"/> Satin Bronze (SB)	<input type="checkbox"/> Polished Brass
<input type="checkbox"/> Oil Rubbed Bronze (ORB)	<input type="checkbox"/> Polished Gold
<input type="checkbox"/> Custom Finish (Specify Color to Match)	
<input type="checkbox"/> _____	
Custom finishes can be made to match a sample provided by the customer. Contact Infinity Drain for availability of desired finish.	

**Terms and Conditions:**

By signing this form, you are agreeing to the terms and conditions herein. All details and finishes stated are correct. All dimensions are correct and are to be held within a tolerance of +/- 1/16". All other details and dimensions that are specified as "standard" are subject to manufacturer's tolerance and change without notice. We can assume no responsibility for use of superseded or void data. All custom orders are non-cancellable, non-returnable and

**Infinity Drain**  
145 Dixon Avenue  
Amityville, NY 11701  
Phone: 516.767.6786  
Fax: 516.740.3066  
www.Infinitydrain.com  
FM525-10-23



<b>APPROVAL</b>	<input type="checkbox"/> NAME	<input type="checkbox"/> JOB NAME/REFERENCE
	<input type="checkbox"/> SIGNATURE	<input type="checkbox"/> DATE

For pricing email: [quotes@infinitydrain.com](mailto:quotes@infinitydrain.com)