

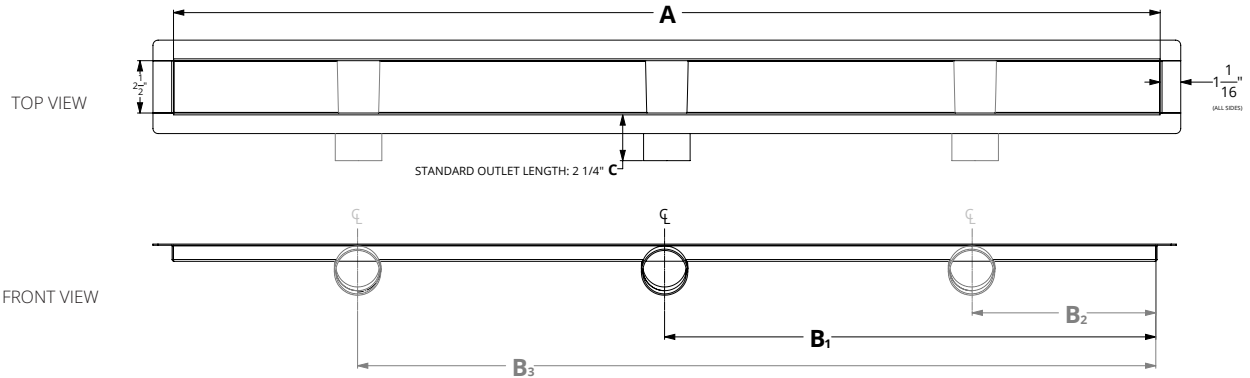


FTC (Side Outlet) Standard Custom Form

[FT] (Side outlet) linear drains are designed for use with liquid applied (cold fluid applied) or fabric sheet membranes. The overall inside length of channel (**A**) is the finished length of the drain, with a 1-1/16" flange on all four sides to accept the waterproofing membrane. All outlet locations (**B**) are measured from the right inside channel edge. For this type of installation a mortar bed or equal is created up to and around the drain with the appropriate slope towards the drain. The waterproofing is applied over the mortar bed and the flange of the channel. Tile or stone is applied directly to the waterproofing for a low profile installation.

Speciality channel options are available.

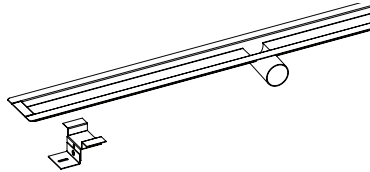
- **[OCH]** for Threaded Connection - This channel is provided with a 2" male tapered thread (MPT) for direct threaded connection to a female threaded pipe.



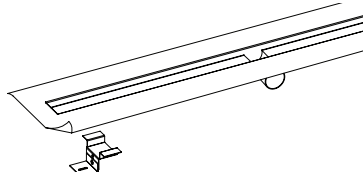
A: Overall Inside Length	B1: Outlet Location 1	B2: Outlet Location 2	B3: Outlet Location 3	C: Outlet Length
<input type="text"/>	<input type="text"/>	<input type="text"/>	<input type="text"/>	<input type="text"/>

Channel Option: *Choose (1)*

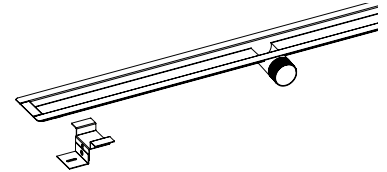
[FT] Standard



[FTS] Standard



[OCH] Tapered Threaded



Grate Styles - Choose (1) Below		OR	Channel Only <input type="checkbox"/>
<input type="checkbox"/> FTAS 25 1" WIDE WEDGE WIRE Maximum Single Grate Length: 72"	<input type="checkbox"/> FTIG 65 SLOTTED PATTERN Maximum Single Grate Length: 96"	<input type="checkbox"/> FTST SLOT DRAIN Maximum Single Grate Length: 96"	
<input type="checkbox"/> FTAS 65 2 1/2" WIDE WEDGE WIRE Maximum Single Grate Length: 72"	<input type="checkbox"/> FTED 65 OFFSET OVAL PATTERN Maximum Single Grate Length: 96"	<input type="checkbox"/> FTSG 65 SOLID GRATE Maximum Single Grate Length: 60"	
<input type="checkbox"/> FTAS 125 5" WIDE WEDGE WIRE 3" OUTLET STANDARD Maximum Single Grate Length: 72"	<input type="checkbox"/> FTMN 65 MARC NEWSON PATTERN Maximum Single Grate Length: 96"	<input type="checkbox"/> FTTIF 65 TILE INSERT For 3/8" Tile Material Maximum Single Grate Length: 60"	

Note: Lengths exceeding the grate's maximum single length will be split into equal sections.

Grate Finish - Choose (1)	
<input type="checkbox"/> Satin Stainless	<input type="checkbox"/> Gunmetal
<input type="checkbox"/> Polished Stainless	<input type="checkbox"/> Matte White
<input type="checkbox"/> Matte Black	<input type="checkbox"/> Satin Champagne
<input type="checkbox"/> Satin Bronze	<input type="checkbox"/> Polished Brass
<input type="checkbox"/> Oil Rubbed Bronze	<input type="checkbox"/> Polished Gold
<input type="checkbox"/> Custom Finish (Specify Color to Match)	
<input type="text"/>	
Custom finishes can be made to match a sample provided by the customer. Contact Infinity Drain for availability of	

Terms and Conditions:

By signing this form, you are agreeing to the terms and conditions herein. All details and finishes stated are correct. All dimensions are correct and are to be held within a tolerance of +/- 1/16". All other details and dimensions that are specified as "standard" are subject to manufacturer's tolerance and change without notice.

Infinity Drain
145 Dixon Avenue
Amityville, NY 11701
Phone: 516.767.6786
Fax: 516.740.3066



APPROVAL	NAME <input type="text"/>	JOB NAME/REFERENCE <input type="text"/>
	SIGNATURE <input type="text"/>	DATE <input type="text"/>