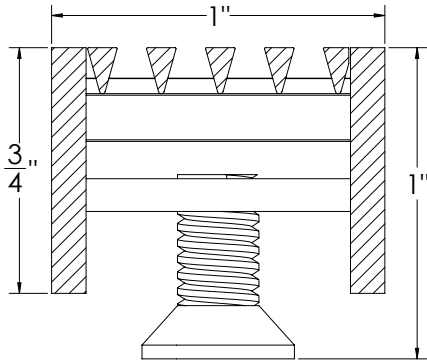


SA 25 Specifications



SA 25:

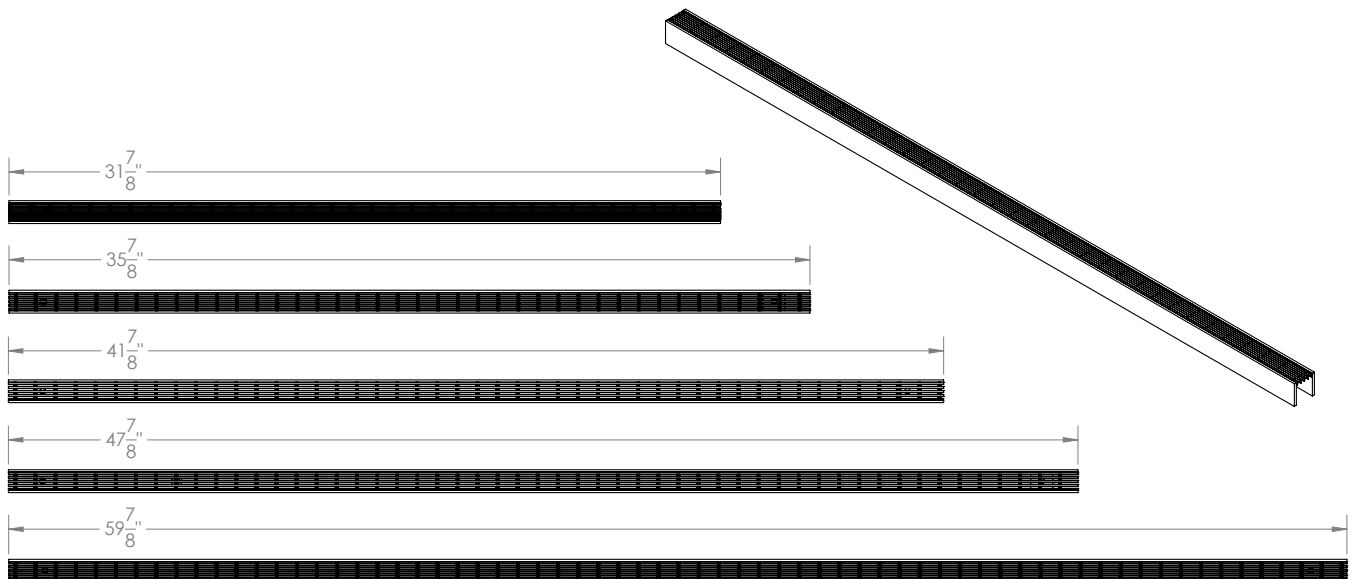
- Wedge wire grate for FFAS 25, FCSAS 25,FCBAS 25
- 12 gauge 316L stainless steel
- 2mm wire, 2mm gap

Models (Overall dimension):

- SA 2532: 31-7/8" L x 1" W x 3/4" H
- SA 2536: 35-7/8" L x 1" W x 3/4" H
- SA 2542: 41-7/8" L x 1" W x 3/4" H
- SA 2548: 47-7/8" L x 1" W x 3/4" H
- SA 2560: 59-7/8" L x 1" W x 3/4" H

Finishes:

- Satin Stainless - SS
- Polished Stainless - PS
- Satin Bronze - SB
- Oil Rubbed Bronze - ORB
- Matte Black - BK



Infinity Drain
 145 Dixon Avenue
 Amityville, NY 11701
 Phone: 516.767.6786
 Fax: 516.740.3066
 www.infinitydrain.com



NOTE: Installer must verify all rough-in dimensions prior to installation and consult local and national codes. Conformity and compliance to local and national codes are the responsibility of the installer.