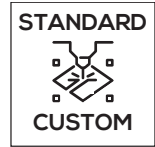


FFC (Fixed Flange)

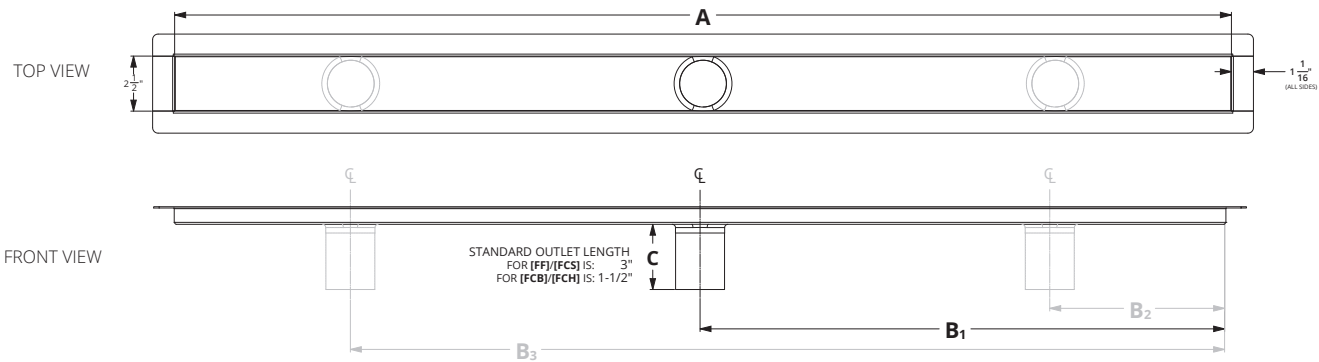
Standard Custom Form



[FF] (Flanged) linear drains are designed for use with liquid applied (cold fluid applied) or fabric sheet membranes. The overall inside length of channel (**A**) is the finished length of the drain, with a 1-1/16" flange on all four sides to accept the waterproofing membrane. All outlet locations (**B**) are measured from the right inside channel edge. For this type of installation a mortar bed or equal is created up to and around the drain with the appropriate slope towards the drain. The waterproofing is applied over the mortar bed and the flange of the channel. Tile or stone is applied directly to the waterproofing for a low profile installation. The standard FC channel is provided with a 2" No-Hub Outlet.

Speciality channel options are available.

- **[FCB]** for Double Waterproofing - Comes with a 2" threaded outlet for use with a clamping drain body and a traditional membrane as a primary waterproofing and has the standard 1-1/16" for a liquid/fabric secondary waterproofing.
- **[FCS]** for Schluter KERDI Waterproofing - Comes with KERDI membrane factory applied to the channel for use with the Schluter KERDI system only. Uses a 2" No-Hub Outlet.
- **[FCH]** for Liquid or Fabric Waterproofing only - Comes with a 2" tapered male threaded outlet (MPT) for direct threaded connection to a 2" female (FPT) fitting.



A: Overall Inside Length	B1: Outlet Location 1	B2: Outlet Location 2	B3: Outlet Location 3	C: Outlet Length
<input type="checkbox"/>	<input type="checkbox"/>	<input type="checkbox"/>	<input type="checkbox"/>	<input type="checkbox"/>
<i>FOR ADDITIONAL OUTLETS IF NEEDED</i>			<i>IF NOT STANDARD</i>	

Channel Option: Choose (1)

- | | | | |
|---|--|---|---|
| <input type="checkbox"/> [FF] Standard
2" No Hub Outlet | <input type="checkbox"/> [FCB] Double Waterproofing
2" Threaded Outlet | <input type="checkbox"/> [FCS] Flange with Kerdi
Factory applied KERDI - 2" No Hub Outlet | <input type="checkbox"/> [FCH] Tapered Threaded
2" MPT Outlet |
|---|--|---|---|
-

Grate Styles - Choose (1) Below		OR	Channel Only	Grate Finish - Choose (1)
<input type="checkbox"/> FFAS 25 1" WIDE WEDGE WIRE		<input type="checkbox"/> FFIG 65 SLOTTED PATTERN		<input type="checkbox"/> Satin Stainless (SS)
<input type="checkbox"/> FFAS 65 2 1/2" WIDE WEDGE WIRE		<input type="checkbox"/> FFED 65 OFFSET OVAL PATTERN		<input type="checkbox"/> Polished Stainless (PS)
<input type="checkbox"/> FFAS 125 5" WIDE WEDGE WIRE 3" OUTLET STANDARD		<input type="checkbox"/> FFMN 65 MARC NEWSON PATTERN		<input type="checkbox"/> Matte Black (BK)
				<input type="checkbox"/> Satin Bronze (SB)
				<input type="checkbox"/> Oil Rubbed Bronze (ORB)
				<input type="checkbox"/> Matte White (WH)
				<input type="checkbox"/> Other (Specify Color to Match)* <i>Not applicable for Rush</i>
				<input type="checkbox"/>

* Custom finishes can be made to match a sample provided by the customer. Contact Infinity Drain for availability of desired finish.

Terms and Conditions:

By signing this form, you are agreeing to the terms and conditions herein. All details and finished stated are correct. All dimensions are correct and are to be held within a tolerance of +/- 1/16". All other details and dimensions that are specified as "standard" are subject to manufacturer's tolerance and change without notice. We can assume no responsibility for use of superceded or void data. All custom orders are non-cancellable, non-returnable and non-refundable.

Infinity Drain
145 Dixon Avenue
Amityville, NY 11701
Phone: 516.767.6786
Fax: 516.740.3066
www.Infinitydrain.com



APPROVAL

NAME <input type="checkbox"/>	JOB NAME/REFERENCE <input type="checkbox"/>
SIGNATURE <input type="checkbox"/>	DATE <input type="checkbox"/>

For pricing email: quotes@infinitydrain.com