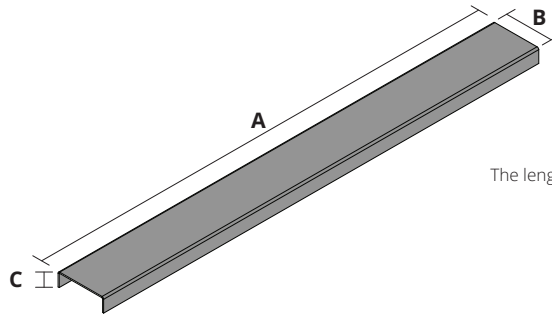
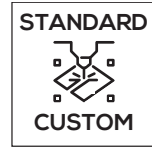


# Custom Grate Form



The length (A) should be 1/8" shorter than the inside length of the channel

<b>A: Overall Length</b> <i>(This dimension should be 1/8" shorter than the inside length of the channel)</i>	<b>B: Overall Width</b> <i>(If not standard)</i>	<b>C: Overall Height</b> <i>(If not standard)</i>
<input type="checkbox"/>	<input type="checkbox"/>	<input type="checkbox"/>

Grate Styles - Choose (1) Below			
Wedge Wire Grates		Perforated Grates	
<input type="checkbox"/> <b>SA 25</b> 2MM WEDGE WIRE WIDTH: 1 1/2" HEIGHT: 1"	<input type="checkbox"/> <b>A 38</b> 3MM WEDGE WIRE WIDTH: 1 1/2" HEIGHT: 1 1/2"	<input type="checkbox"/> <b>KA 38</b> SLOTTED PATTERN WIDTH: 1 1/2" HEIGHT: 1" 16 Gauge	<input type="checkbox"/> <b>D 38</b> CIRCLE PATTERN WIDTH: 1 1/2" HEIGHT: 1 1/2" 16 Gauge
<input type="checkbox"/> <b>SA 38</b> 2MM WEDGE WIRE WIDTH: 1 1/2" HEIGHT: 1"	<input type="checkbox"/> <b>A 65</b> 3MM WEDGE WIRE WIDTH: 2 1/2" HEIGHT: 1 1/2"	<input type="checkbox"/> <b>KA 65</b> SLOTTED PATTERN WIDTH: 2 1/2" HEIGHT: 1" 16 Gauge	<input type="checkbox"/> <b>D 65</b> CIRCLE PATTERN WIDTH: 2 1/2" HEIGHT: 1 1/2" 16 Gauge
<input type="checkbox"/> <b>WA 65</b> 2MM WEDGE WIRE WIDTH: 2 1/2" HEIGHT: 3/4"	<input type="checkbox"/> <b>SA 65</b> 2MM WEDGE WIRE WIDTH: 2 1/2" HEIGHT: 1"	<input type="checkbox"/> <b>UA 65</b> SLOTTED PATTERN WIDTH: 2 1/2" HEIGHT: 3/4"	<input type="checkbox"/> <b>PA 65</b> CIRCLE PATTERN WIDTH: 2 1/2" HEIGHT: 3/4" 16 Gauge
<input type="checkbox"/> <b>SA 100</b> 2MM WEDGE WIRE WIDTH: 3 7/8" HEIGHT: 3/4"	<input type="checkbox"/> <b>SA 125</b> 2MM WEDGE WIRE WIDTH: 4 15/16" HEIGHT: 1"	<input type="checkbox"/> <b>EA 65</b> OFFSET OVAL PATTERN WIDTH: 2 1/2" HEIGHT: 3/4" 16 Gauge	<input type="checkbox"/> <b>MA 65</b> MARC NEWSON PATTERN WIDTH: 2 1/2" HEIGHT: 3/4" 16 Gauge
		<input type="checkbox"/> <b>GE 65</b> ADHESION PATTERN WIDTH: 2 1/2" HEIGHT: 3/4" 16 Gauge	<input type="checkbox"/> <b>GA 65</b> ADHESION PATTERN WIDTH: 2 1/2" HEIGHT: 1" 16 Gauge

For Tile Insert Frames and Solid Grates, bumpers/spacers are included in the overall length.

Tile Insert Frames			Solid Grate
<input type="checkbox"/> <b>LA 65</b> LOW TILE INSERT WIDTH: 2 1/2" HEIGHT: 3/4" 16 Gauge	STANDARD INSERT DEPTH ACCEPTS UP TO 3/8" MATERIAL	<input type="checkbox"/> <b>RA 65</b> LOW TILE INSERT WIDTH: 2 1/2" HEIGHT: 1" 12 Gauge	STANDARD INSERT DEPTH ACCEPTS UP TO 3/8" MATERIAL
		<input type="checkbox"/> <b>TA 65</b> TILE INSERT WIDTH: 2 1/2" HEIGHT: 1 1/2" 12 Gauge	STANDARD INSERT DEPTH ACCEPTS UP TO 3/4" MATERIAL
			<input type="checkbox"/> <b>BA 65</b> SOLID GRATE WIDTH: 2 1/2" HEIGHT: 3/4" 7 Gauge

**Note:** Grates exceeding the specified lengths will be fabricated into separate equal sections.

Maximum **single** Length for each Grate style is as follows:

- **Tile Insert Frames & Solid Grate:** Maximum single length 60" (LA 65, TA 65, RA 65, BA 65)
- **Wedge Wire Grates:** SA 100/125: 60" Maximum single length.
- **All other Wedge Wire Models:** 72" Maximum single length.(A 38, A 65, SA 25, SA 38, SA 65, WA 65)
- **Perforated Grates:** Maximum single length 96"  
(D 38, D 65, EA 65, GA 65, GE 65, KA 38, KA 65, MA 65, PA 65, UA 65)

Grate Finish - Choose (1)	
<input type="checkbox"/> Satin Stainless	<input type="checkbox"/> Gunmetal
<input type="checkbox"/> Polished Stainless	<input type="checkbox"/> Matte White
<input type="checkbox"/> Oil Rubbed Bronze	<input type="checkbox"/> Satin Champagne
<input type="checkbox"/> Satin Bronze	<input type="checkbox"/> Polished Brass
<input type="checkbox"/> Matte Black	<input type="checkbox"/> Polished Gold
<input type="checkbox"/> Custom Finish (Specify Color to Match)	
<input type="checkbox"/> Custom finishes can be made to match a sample provided by the customer. Contact Infinity Drain for availability of desired finish.	

**Terms and Conditions:**

By signing this form, you are agreeing to the terms and conditions herein. All details and finishes stated are correct. All dimensions are correct and are to be held within a tolerance of +/- 1/16". All other details and dimensions that are specified as "standard" are subject to manufacturer's tolerance and change without notice. We can assume no responsibility for use of superseded or void data. All custom orders are non-cancellable, non-returnable and non-refundable.

**Infinity Drain**  
 145 Dixon Avenue  
 Amityville, NY 11701  
 Phone: 516.767.6786  
 Fax: 516.740.3066  
 www.infinitydrain.com



**APPROVAL**

<input type="checkbox"/> NAME	<input type="checkbox"/> JOB NAME/REFERENCE
<input type="checkbox"/> SIGNATURE	<input type="checkbox"/> DATE