



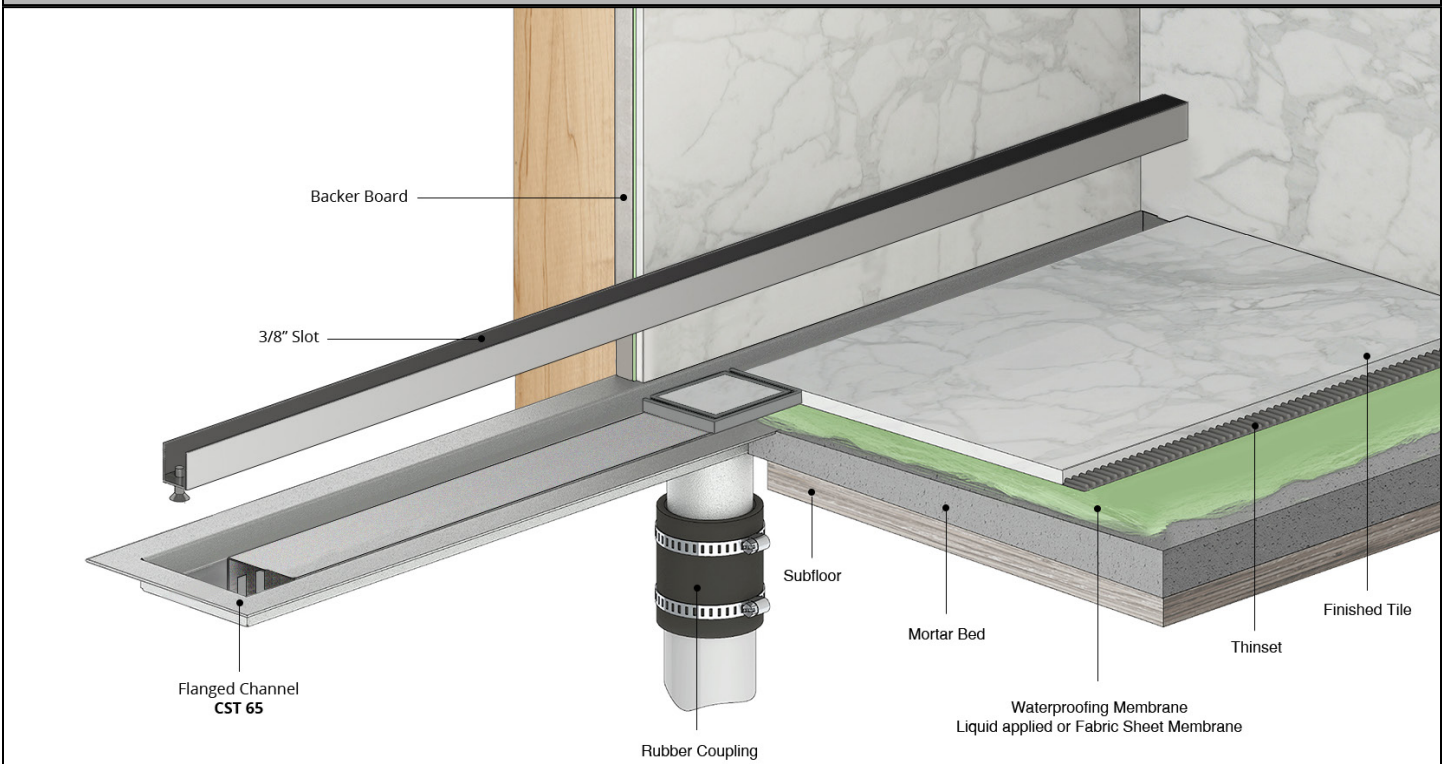
FFST Slot Drain Fixed Flange Series

- FFST 24 - 24" Complete Kit
- FFST 32 - 32" Complete Kit
- FFST 36 - 36" Complete Kit
- FFST 42 - 42" Complete Kit
- FFST 48 - 48" Complete Kit
- FFST 60 - 60" Complete Kit

Features

- | | |
|---|---|
| <ul style="list-style-type: none"> ▪ Fixed flange with centered outlet location ▪ Indoor or outdoor use ▪ 12 gauge Tile Insert clean out ▪ 16 gauge, 304L Stainless Steel Slot and Channel Assembly ▪ Pre - pitched channel ▪ Tile Insert can be removed for cleaning | <ul style="list-style-type: none"> ▪ NOT Site Sizable® ▪ Compatible with: liquid applied or fabric sheet membranes ▪ Flow rate - 9 gpm per outlet <ul style="list-style-type: none"> ▫ Flow rate measured at outlet only. Measurement does not account for water in channel or sheeting on shower floor. ▫ Additional outlets can be added and combined into a larger waste line to increase flow rates |
|---|---|

Installation



Care & Maintenance

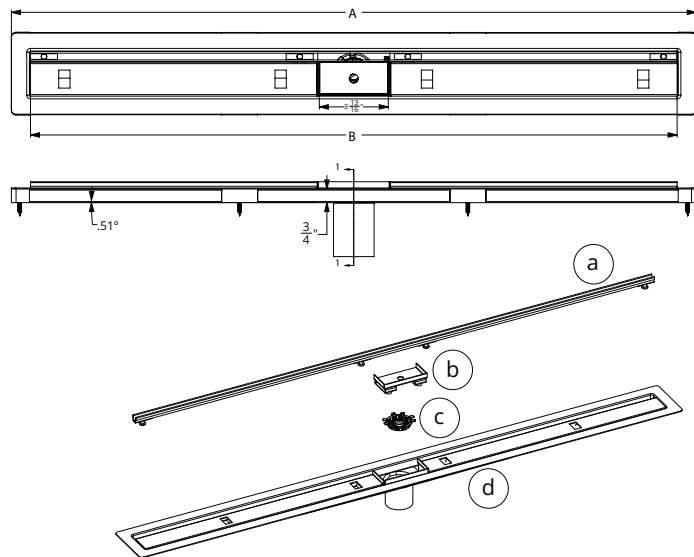
FFST 65 stainless steel linear drains are made of 304L stainless steel. This material is non-porous, hygienic, rust-free and extremely durable. Bar Keepers Friend® and Soft Scrub® are commonly available products that can be used to protect and clean your Satin Stainless drain cover. For stains that have been left for an excessive amount of time, stronger cleaning agents such as Steel Brite® may be needed. For all finishes we recommend using mild soap and a soft cloth for cleaning. DO NOT use any abrasive cleaners, scrub pads or allow household cleaning agents, such as bleach, to sit on the drain cover for a long period of time. Stainless steel does not rust. External factors, such as contamination from other highly ferrous metals, built up road salt, sea salt, or chlorine may have caused "surface" rust which can be removed using Barkeepers Friend®, Soft Scrub®, or Steel Brite Cleaner. Always follow the directions on the bottle. Follow proper maintenance procedures to prevent excessive surface rust. In areas of frequent exposure to salt, chlorine, and other chemical compounds, maintenance of the stainless grates should be performed at least 2-3 times per year.

Infinity Drain
145 Dixon Avenue
Amityville, NY 11701
Phone: 516.767.6786
Fax: 516.740.3066
www.infinitydrain.com

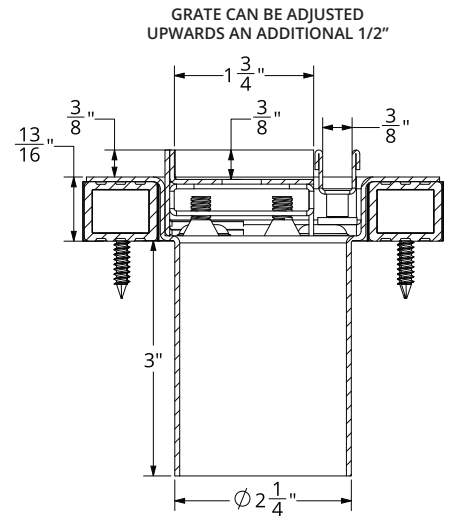


NOTE: Installer must verify all rough-in dimensions prior to installation and consult local and national codes. Conformity and compliance to local and national codes are the responsibility of the installer.

ID Infinity Drain®



- (a) SLOT - Stainless Steel Slot
- (b) TI-CL - Cleanout Box
- (c) HS 2 - Hair Strainer
- (d) CST 65 - Stainless Steel Channel



SECTION 1-1

Model Number	Complete Kit Contents	A (Maximum Overall Length)	B (Maximum Grate Length)
<input type="checkbox"/> FFST 24	1 - 24" Slot 1 - CST 24 Fixed Flange Slot Channel 1 - Tile Insert Clean Out	26 1/8"	23 7/8"
<input type="checkbox"/> FFST 32	1 - 32" Slot 1 - CST 32 Fixed Flange Slot Channel 1 - Tile Insert Clean Out	34 1/8"	31 7/8"
<input type="checkbox"/> FFST 36	1 - 36" Slot 1 - CST 36 Fixed Flange Slot Channel 1 - Tile Insert Clean Out	38 1/8"	35 7/8"
<input type="checkbox"/> FFST 42	1 - 42" Slot 1 - CST 42 Fixed Flange Slot Channel 1 - Tile Insert Clean Out	44 1/8"	41 7/8"
<input type="checkbox"/> FFST 48	1 - 48" Slot 1 - CST 48 Fixed Flange Slot Channel 1 - Tile Insert Clean Out	50 1/8"	47 7/8"
<input type="checkbox"/> FFST 60	1 - 60" Slot 1 - CST 60 Fixed Flange Slot Channel 1 - Tile Insert Clean Out	62 1/8"	59 7/8"

Finishes

- | | | | | |
|---|--|--|--|---|
| <input type="checkbox"/> Satin Stainless (SS) | <input type="checkbox"/> Polished Stainless (PS) | <input type="checkbox"/> Oil Rubbed Bronze (ORB) | <input type="checkbox"/> Satin Bronze (SB) | <input type="checkbox"/> Matte Black (BK) |
| <input type="checkbox"/> Satin Champagne (SC) | <input type="checkbox"/> Polished Gold (PG) | <input type="checkbox"/> Polished Brass (PB) | <input type="checkbox"/> Gunmetal (GM) | <input type="checkbox"/> Matte White (MW) |

Infinity Drain
145 Dixon Avenue
Amityville, NY 11701
Phone: 516.767.6786
Fax: 516.740.3066
www.infinitydrain.com



NOTE: Installer must verify all rough-in dimensions prior to installation and consult local and national codes. Conformity and compliance to local and national codes are the responsibility of the installer.

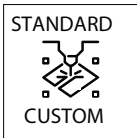
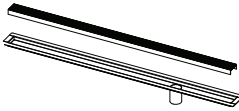
CUSTOM FIXED FLANGE SERIES DRAINS

If you can imagine it, we can manufacture it. Infinity Drain® offers a variety of customized drainage solutions to your exact specification. Customize length, outlets, configuration, styles, and finishes.



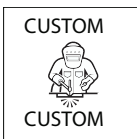
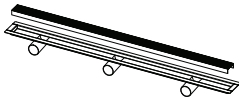
NEW Next Day Custom

- Purchase orders and sign offs received by 10am ET will ship the following day
- Completed custom form must accompany purchase order
- Straight configuration and custom lengths up to 96"
- Grate Styles: Wedge Wire, Offset Slotted, Tile Insert Frame
- Installation types: Fixed Flange (FF), Flanged with Schluter® - Kerdi (FCS), and Double Waterproofing (FCB)
- Custom outlet placement for multiple outlets
- Finishes: Satin Stainless, Polished Stainless, Oil Rubbed Bronze, Satin Bronze and Matte Black



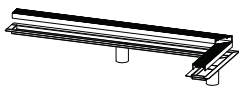
Standard Custom

- Purchase orders and sign offs received by 10am ET will ship within 15 business days
- Completed custom form must accompany purchase order
- Straight configuration and custom lengths up to 96"
- Any standard grate style options
- Installation types: Fixed Flange (FF), Flanged with Schluter® - Kerdi (FCS), and Double Waterproofing (FCB)
- Custom outlet placement for multiple outlets
- Finishes: Satin Stainless, Polished Stainless, Oil Rubbed Bronze, Satin Bronze and Matte Black



Custom-Custom

- Specialty installation options (Sink drain, Elevator drain, Threshold drain, Vinyl Clamp drain, etc.)
- Any shape and configuration
- Any installation type
- Any outlet type
- Any finish. Standard finishes and color match finish options available.



[CLICK HERE - TO LEARN MORE ABOUT CUSTOM FABRICATION](#)

For additional information regarding Custom Fabrication, Please contact Technical Support at info@infinitydrain.com