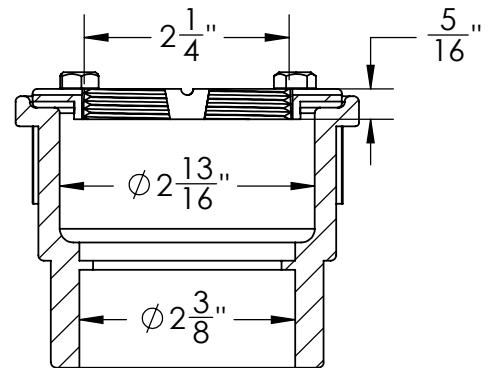
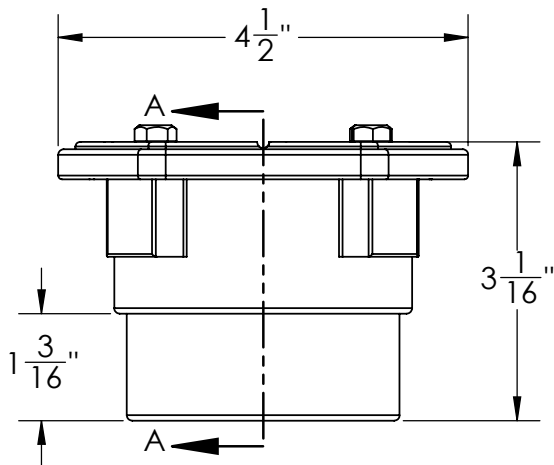
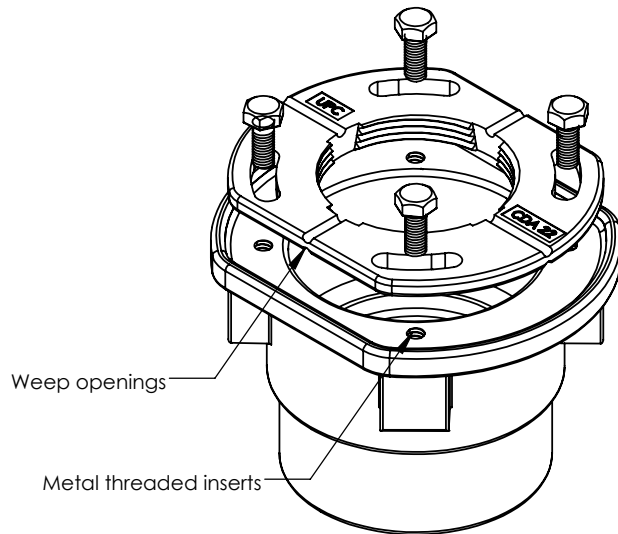
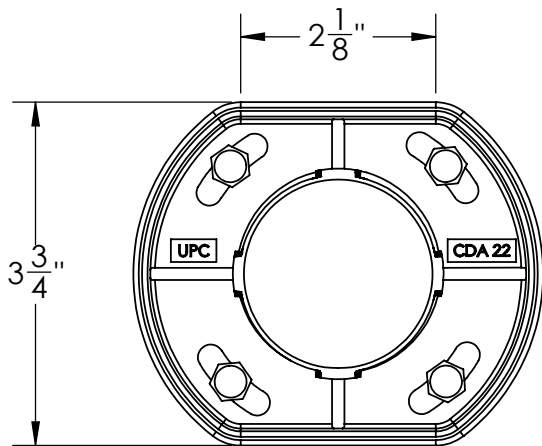


CDA 22 Specifications ID Infinity Drain

CDA 22:

- ABS Clamp Down Drain Body Assembly
- 2" IPS Throat
- 2" No Hub Outlet
- Compatible with traditional waterproofing membranes



SECTION A-A

Infinity Drain
 145 Dixon Avenue
 Amityville, NY 11701
 Phone: 516.767.6786
 Fax: 516.740.3066
 www.infinitydrain.com



NOTE: Installer must verify all rough-in dimensions prior to installation and consult local and national codes. Conformity and compliance to local and national codes are the responsibility of the installer.