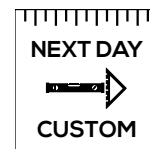


Next Day Custom



A PERFECT DRAIN IN A NOT-SO-PERFECT WORLD

Next Day Custom Linear Drains are available in lengths up to 96" in five finishes, three grate styles and for all installation waterproofing methods.

- Purchase orders and sign offs received by 10am ET will ship the following day with no additional upcharge
- Available on linear drains up to 96" in length
- Custom outlet placement or multiple outlets along channel run
- Finishes: Satin Stainless, Polished Stainless, Oil Rubbed Bronze, Satin Bronze and Matte Black
- Grate Styles: Wedge Wire, Offset Slotted, Tile Insert Frame
- Installation Types: FX Series, FF Series, FCB Series, FCS Series
- Limit 1 item (complete kit – channel and grate) per purchase order number



Next Day Custom Custom Form

ORDERS AND SIGN OFF IN BY 10 AM ET, SHIP NEXT DAY

1. Choose Grate Style & Finish (Lengths longer than 72" are fabricated in multiple pieces)

<input type="checkbox"/> 2 MM WEDGE WIRE	<input type="checkbox"/> OFFSET SLOTTED	<input type="checkbox"/> TILE INSERT FRAME	<input type="checkbox"/> TILE INSERT FRAME	<input type="checkbox"/> NO GRATE (CHANNEL ONLY)
		3/8" Depth for Tile	3/4" Depth for Tile	

2. Choose Channel

*FX installation requires the selection of a finish, even if ordering the channel only.

<input type="checkbox"/> [FF] Fixed Flange 1" Flange 2" No Hub Outlet	<input type="checkbox"/> [FCS] Flange with KERDI Factory applied KERDI 1" Flange for Wall to Wall 2" No Hub Outlet	<input type="checkbox"/> [NDC FCS] Flange with KERDI Factory applied KERDI 1/2" Flange for Wall to Wall 2" No Hub Outlet	<input type="checkbox"/> [FCB] Double Waterproofing 1" Flange 2" Threaded Outlet**	<input type="checkbox"/> [FX] Fixed Length* 2" Threaded Outlet**

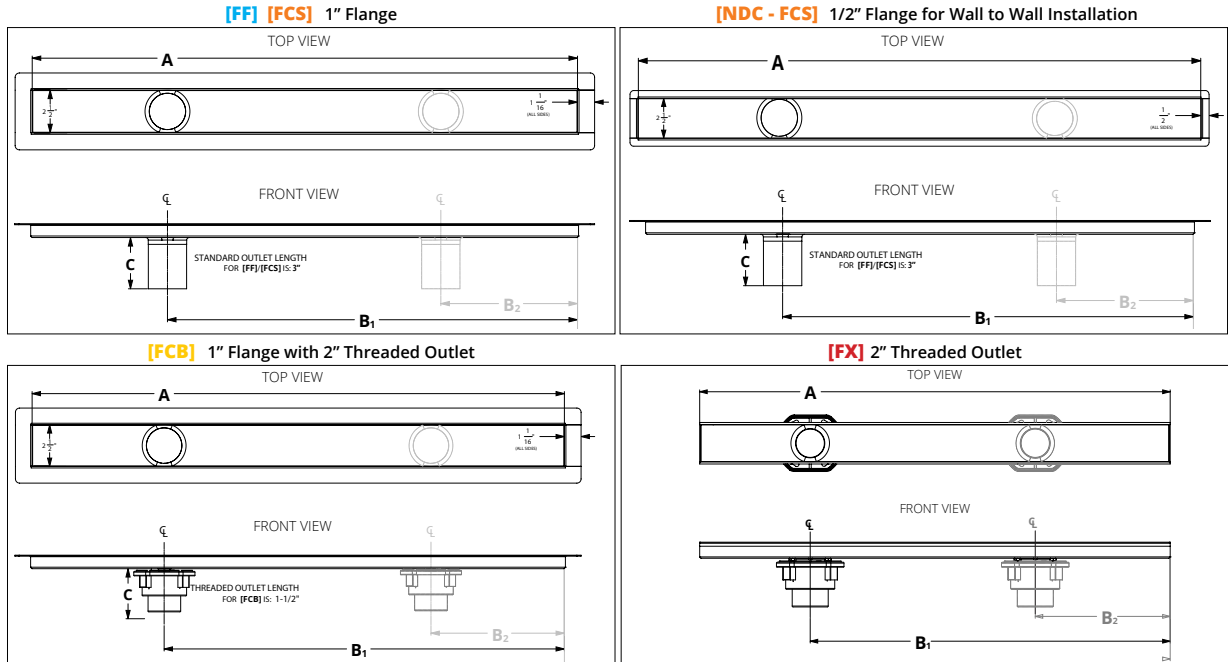
**Clamp down drain not included

3. Choose Finish

<input type="checkbox"/> SATIN STAINLESS	<input type="checkbox"/> POLISHED STAINLESS	<input type="checkbox"/> OIL RUBBED BRONZE	<input type="checkbox"/> SATIN BRONZE	<input type="checkbox"/> MATTE BLACK
---	--	---	--	---

4. Choose Length & Outlet Location(s) - (Up to 96" length)

A: Overall Inside Length (FF, FCB, FCS) A: Overall Length (FX)	B1: Outlet Location 1	B2: Outlet Location 2
<input type="checkbox"/>	<input type="checkbox"/>	<input type="checkbox"/>
<i>FOR ADDITIONAL OUTLET IF NEEDED</i>		



5. Choose Shipping Method

Ground Standard Overnight Priority Overnight (AM Delivery)

6. Sign & Reference

By signing this form, you are agreeing to the terms and conditions herein. All details and finishes stated are correct. All dimensions are correct and are to be held within a tolerance of +/- 1/16". All other details and dimensions that are specified as "standard" are subject to manufacturer's tolerance and change without notice. We can assume no responsibility for use of superseded or void data. All custom orders are non-cancellable, non-returnable and non-refundable.

Infinity Drain
145 Dixon Avenue
Armyville, NY 11701
Phone: 516.767.6786
Fax: 516.740.3066
www.infinitydrain.com



APPROVAL

NAME <input type="checkbox"/>	PO #/REFERENCE <input type="checkbox"/>
SIGNATURE <input type="checkbox"/>	DATE <input type="checkbox"/>